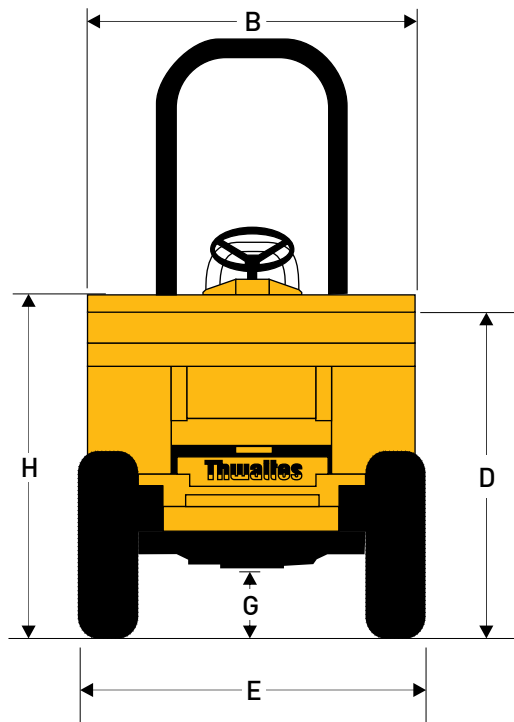
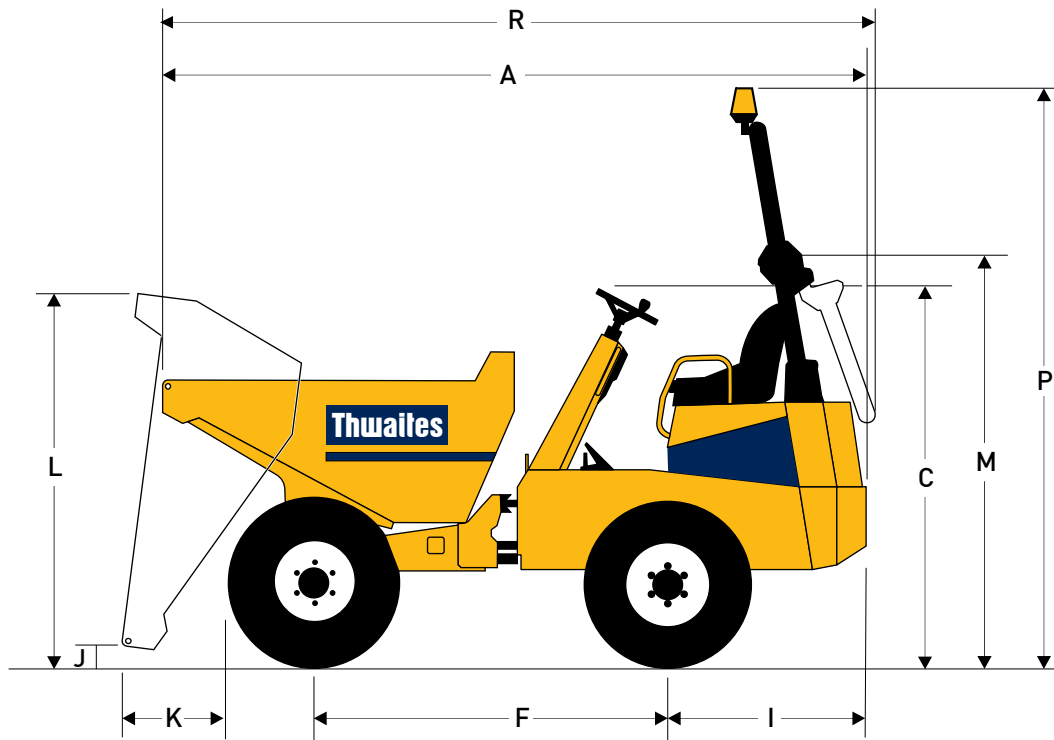


Alldrive 6 Tonne Front Tip



Dimension
(mm)

| | |
|---|------|
| A | 4440 |
| B | 2165 |
| C | 2230 |
| D | 1610 |
| E | 2240 |
| F | 2480 |
| G | 370 |
| H | 1740 |
| I | 1200 |
| J | 340 |
| K | 520 |
| L | 2505 |
| M | 2230 |
| P | 3390 |
| R | 4742 |

► SPECIFICATIONS

Alldrive 6 Tonne Front Tip

| | | |
|-------------------|---------------|-------------|
| Capacities | Max safe load | 6000kg |
| | Heaped | 3300 litres |
| | Struck | 2300 litres |
| | Water | 1670 litres |

Engine

Perkins 1100 D series, 70kW/94 bhp (gross) at 2200 rpm, four-cylinder turbo-charged water-cooled direct injection diesel. Max. torque 392 Nm (289 lb ft). Hour meter, battery isolation switch and heavy-duty cyclonic air cleaner positioned within the lockable engine compartment. Tier 3-/Stage IIIA-compliant.

Noise Levels

Operator's ear 84 LpA, airborne sound level 102 LwA (to 2000/14/EC).

Transmission

Torque converter four speed forward and reverse Powershuttle transmission with column mounted directional control lever and heavy duty gear driven transfer box. Optional "Powershift" transmission with changes of speed and forward/reverse direction controlled by one column-mounted lever.

| | | |
|---------------|---------------------|----------------------|
| Speeds | Forward and Reverse | |
| | 1 | 5.0km/h (3.1 mph) |
| | 2 | 8.0km/h (5.0 mph) |
| | 3 | 15.1km/h (9.3 mph) |
| | 4 | 27.7 km/h (17.2 mph) |

| | |
|--------------|------------------|
| Tyres | 405/70 x 20 |
| | 14 ply |
| | Track grip tread |

Brakes and Axles

Twin circuit totally enclosed multiplate oil immersed discs, mounted on both axles with automatic adjustment for wear. Hand operated parking brake. Heavy duty axles with epicyclic reduction and fully floating half shafts.

Kinglink Chassis

Front and rear chassis constructed from deep section folded steel plate, with three point Kinglink giving articulation and oscillation for better stability, traction and extra safety on site. Remote greasing point provided for lubrication of top Kinglink articulation pin.

Skip

Hydraulically operated, 6 mm steel base plate, fully welded, mouth and sides of skip reinforced with box sections giving greater strength to minimise skip damage. No material traps.

Seating & Controls

Adjustable suspension seat, accessible from both sides. Audible warning device for handbrake in "on" position. Electric horn. Large pedal pads with handbrake and hydraulic controls ready to hand. Super-bright warning lights for all critical functions.

Service Access

Lockable three-sided cover opens to provide easy access from ground level to engine service points, all located on the same side. Rear chassis panel can be hinged back on retainers. Additional service access door incorporates the battery. Moulded diesel and hydraulic tanks positioned low in the chassis side members permitting access to the filler caps from ground level.

Electrics

Wiring harness contained within conduits and all electrical components water resistant to IP65/67 standards.

Steering and Hydraulics

Single gear pump providing hydraulic functions includes priority power steering. Filter mounted on top of the tank accessible from ground level. Hydraulic test point fitted as standard.

| | | |
|------------------------|-----------|-----------|
| Tank Capacities | Fuel | 70 litres |
| | Hydraulic | 70 litres |

| | |
|----------------------|------------------------------------|
| Shipping Cube | 23.1 m ³ (without ROPS) |
|----------------------|------------------------------------|

| | |
|-----------------------|---------------------|
| Unladen Weight | 4100kg Powershuttle |
|-----------------------|---------------------|

| | |
|---------------------------|-------|
| Clearance Diameter | 12.6m |
|---------------------------|-------|

| | |
|---------------------------|---------------------------------|
| Standard Equipment | Towing bracket |
| | Folding ROPS frame |
| | Rotary beacon |
| | High visibility rigid seat belt |
| | Reverse alarm |
| | Low Brake Fluid warning |
| | Handbrake test switch |

| |
|-------------|
| Distributor |
|-------------|



Thwaites Ltd. Leamington Spa, Warwickshire CV32 7NQ, England
 Tel +44 (0)1926 422471 Fax +44 (0)1926 337155
 www.thwaitesdumpers.co.uk



We reserve the right to change all specifications without prior notice. Printed in England 02/2014