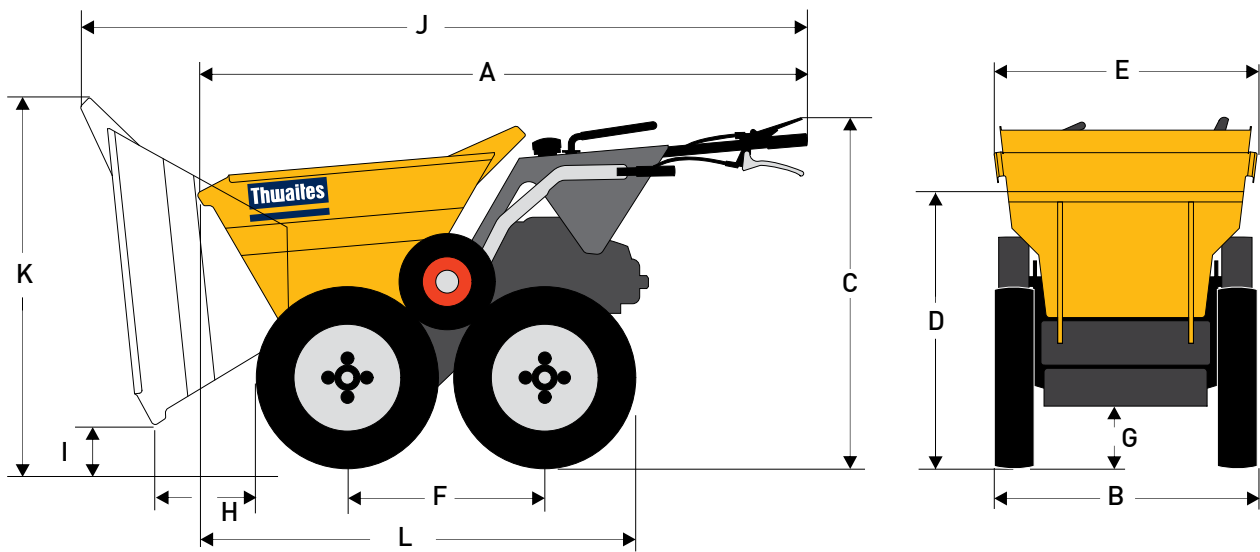


Micro Dumper

MACH300



Dimensions (mm)

A	1606	G	164
B	700	H	267
C	960	I	117
D	731	J	1913
E	693	K	973
F	520	L	1155

Capacities	Max safe load	300 kg
	Heaped	145 litres
	Struck	115 litres
	Water	85 litres

Engine

Honda GXV160, 3.2 kW/4.3 bhp (nett) @ 3100 rpm, single cylinder air-cooled petrol. Max torque 9.6 Nm (7.1 lb f ft). 4 stroke OHV commercial engine, 163cc displacement. EPA/CARB compliant.

Noise Levels

Airborne sound power level 101 LwA (to 2000/14/EC)

Speeds	1	1.2 km/h (0.8 mph)
	2	2.4 km/h (1.5 mph)
	3	3.7 km/h (2.3 mph)
	4	7.4 km/h (4.6 mph)
	Reverse	2.4 km/h (1.5 mph)

Tyres

4.00-10
4 Ply
Track grip tread

Brakes

Automatic failsafe park brake incorporated into transaxle.

Chassis

Chassis constructed from 3mm folded steel plate.

Drive System

Peerless transaxle, four forward & one reverse gear. V belt / pulley driven.

Skip

2 mm steel, fully welded inside, mouth of skip reinforced giving greater strength to minimise skip damage. No material traps.

Controls

Hand operated control consisting of a forward/reverse lever, park brake release, clutch lever, skip tip lever and thumb operated throttle lever enabling full throttle control on the move without having to let go of the handles.

Fuel Tank Capacity 2.5 litres

Shipping Cube 1.04 m³

Unladen Weight 160 kg

Thwaites

Thwaites Ltd. Leamington Spa, Warwickshire CV32 7NQ, England
Tel +44 (0)1926 422471 Fax +44 (0)1926 337155
www.thwaitesdumpers.co.uk



We reserve the right to change all specifications without prior notice.
Printed in England 02/2017