

# 1.5 Tonne Power Swivel

## KEY FEATURES & BENEFITS - MACH203



Market leading and the hirers favourite, the Thwaites 1.5 Tonne Power Swivel, Stage V dumper is the ideal machine when working in confined spaces or with limited access and is easily transported by trailer.

Powered by a 15.9 kW Yanmar engine, delivering 66.4 Nm of torque for optimum traction, this dumper is driven by a Hydrostatic Transmission making it very easy to operate.

The Power Swivel skip enables a 90° rotation left and right, allowing the machine easier access to tip loads in restricted areas, giving the operator greater control and reducing risk on site.

Easy to service and maintain with market leading residuals.

**Safe, compliant and competitive.**



Snap this QR code from your smart phone for more information



# Thwaites

Thwaites Ltd, Leamington Spa,  
Warwickshire, CV32 7NQ, England  
Tel +44 (0)1926 422471

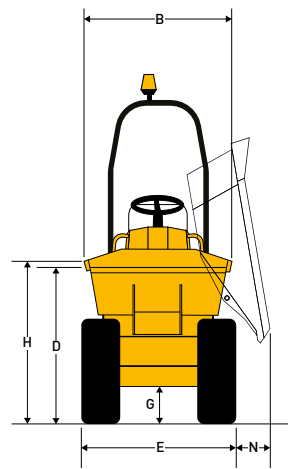
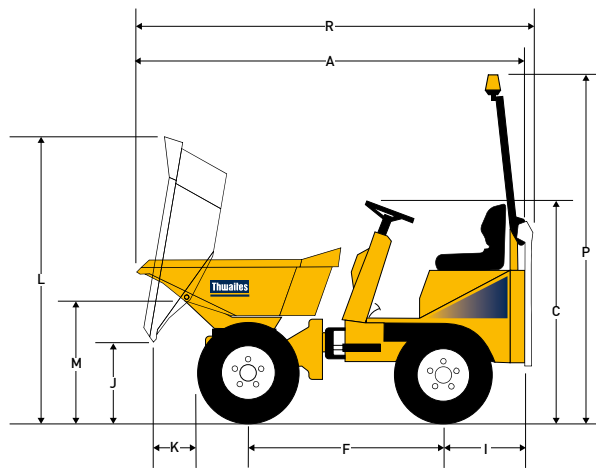
[www.thwaitesdumpers.co.uk](http://www.thwaitesdumpers.co.uk)



## GET THE JOB DONE.

# 1.5 Tonne Power Swivel

## DIMENSIONS & SPECIFICATIONS - MACH203



(mm)

<b>A</b>	3097	<b>N</b>	177
<b>B</b>	1300	<b>P</b>	2860
<b>C</b>	1773	<b>R</b>	3257
<b>D</b>	1286		
<b>E</b>	1300		
<b>F</b>	1600		
<b>G</b>	274		
<b>H</b>	1328		
<b>I</b>	654		
<b>J</b>	651		
<b>K</b>	442		
<b>L</b>	2270		
<b>M</b>	901		

<b>Weight</b>	Unladen	1355 kg
	Shipping	1341 kg

<b>Capacities</b>	Max safe load	1500 kg
	Heaped	800 litres
	Struck	600 litres
	Water	520 litres

### Engine

- > Yanmar 3TNV76, 3-cylinder, water-cooled diesel
- > Power 15.9 kW/21.4 bhp at 2800 rpm
- > Torque 66.4 Nm (49 lbf ft)

### Noise Levels

- > Operator's ear 84 LpA / airborne level 101 LwA

### Transmission

- > Hydrostatic with variable displacement pump feeding four wheel motors, incorporating "Twin-Lock" system to maximise traction

<b>Speeds</b>	Forward and Reverse	
	0 - 12 km/h	(0 - 7.5 mph)

### Brakes and Axles

- > Automatic failsafe braking system incorporated into rear drive motors

### Chassis

- > Front and rear chassis constructed from folded steel plate, with centre-point articulation and oscillation for optimum stability and traction

### Skip

- > Hydraulically operated, 4 mm base
- > Skip mouth reinforced with box sections
- > Power Swivel skip enables a 180° rotation

### Seating & Controls

- > Adjustable suspension seat with high-vis seat belt
- > LED warning lights for all critical functions

### Service Access

- > Lockable engine cover provides easy access from ground level to engine service points.

### Electrics

- > Wiring harness contained within conduits
- > All electrical components water resistant to IP67 rating

### Steering and Hydraulics

- > Hydraulic power steering
- > Return line filtration for all services
- > Hydraulic test point fitted as standard

<b>Tank Capacities</b>	Fuel	21 litres
	Hydraulic	20 litres

<b>Turning Circle</b>	6.00m
-----------------------	-------

### Standard Equipment

- > LED Beacons,
- > Reverse alarm

### Optional Equipment

- > Road mirrors
- > Wheel nut indicator
- > Road lights
- > Towing bracket
- > Sand tyres

# Thwaites

Thwaites Ltd, Leamington Spa,  
Warwickshire, CV32 7NQ, England  
Tel +44 (0)1926 422471

[www.thwaitesdumpers.co.uk](http://www.thwaitesdumpers.co.uk)



Images are representative, but specific details or equipment may vary by country. We reserve the right to change any and all specifications without prior notice. 12/2020