

9 Tonne Power Swivel

KEY FEATURES & BENEFITS - MACH2299 AdBlue



The Thwaites 9 Tonne Power Swivel, Stage V dumper is manufactured with contractors and hirers in mind – ensuring operator safety, reducing risk on site, and improving performance. The Power Swivel skip enables a 90° rotation left and right, allowing the machine easier access to tip loads in restricted areas, giving the operator greater control and reducing risk on site.

Powered by a 3.6L Deutz turbo diesel engine utilising AdBlue, you benefit from an increased peak power of 85 kW and 460 Nm of torque. Use of a DPF ensures compliance with EU stage V emission regulations. The 9 Tonne Power Swivel is also available with a Powershuttle Transmission.

Thwaites 9 Tonne machines are available in a range of further configurations to suit your needs:

- › Front Tip
- › Front Tip with Cab

A Spring Activated Hydraulic Release (SAHR) Handbrake, 5" screen displaying 150° around machine visibility, hi-vis steps, LED road lights and twin LED beacons are available across the 9 Tonne range.

Safe, compliant and competitive.



Snap this QR code from your smart phone for more information



Thwaites

Thwaites Ltd, Leamington Spa,
Warwickshire, CV32 7NQ, England
Tel +44 (0)1926 422471

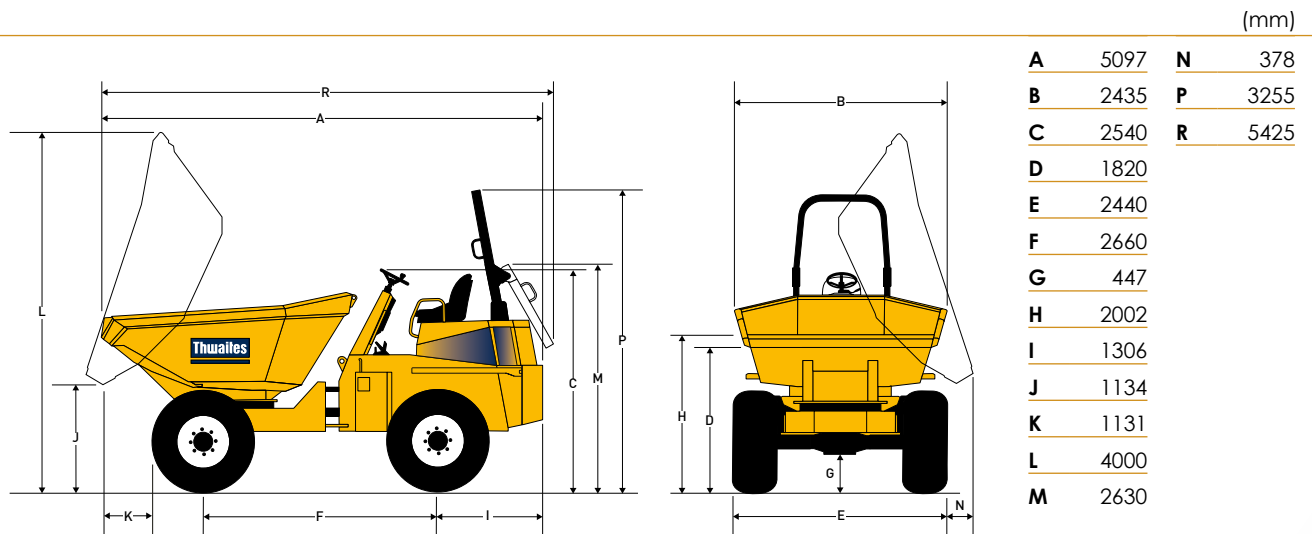
www.thwaitesdumpers.co.uk



GET THE JOB DONE.

9 Tonne Power Swivel

DIMENSIONS & SPECIFICATIONS - MACH2299 AdBlue



Weight	Unladen	5890 kg
	Shipping	5846 kg
Capacities	Max safe load	9000 kg
	Heaped	4250 litres
	Struck	3400 litres
	Water	2050 litres

Engine

- > Deutz TCD 3.6 L4, water-cooled, 4-cylinder, charged air cooled turbo, fuel injected diesel and after treatment Diesel Particulate filter & Selective Catalytic Reduction
- > Power 85 kW/ 114 bhp at 2200 rpm
- > Torque 460 Nm (339 lbf ft).

Noise Levels

- > Operator's ear 84 LpA / airborne level 101 LwA

Transmission

- > Torque converter four speed forward and reverse Powershift transmission, column mounted speed and directional control lever

Speeds	Forward and Reverse	
1	5.3 km/h	(3.3 mph)
2	8.3 km/h	(5.7 mph)
3	17.0 km/h	(10.5 mph)
4	30.1 km/h	(18.7 mph)

Brakes and Axles

- > Totally enclosed multiplate oil-immersed discs mounted on both axles & auto wear adjustment
- > Hand operated parking brake (SAHR)

Kinglink Chassis

- > Constructed from folded steel plate, with three point Kinglink giving articulation and oscillation for better stability, traction and safety on site

Skip

- > Hydraulically operated, 8 mm steel base plate
- > Skip mouth & sides reinforced with box sections
- > Power Swivel skip enables a 180° rotation

Seating & Controls

- > Adjustable suspension seat with high-vis seat belt
- > Clear operators display unit contains all warning lamps

Service Access

- > Lockable engine cover for ground level service points
- > Rear chassis panel can be hinged back on retainers

Electrics

- > Fuse & relay are housed on a central power distribution board
- > Main harness is fully enclosed in solid conduit and incorporates the engine diagnostic port

Steering and Hydraulics

- > Hydraulic power steering
- > Return line filtration for all services
- > Hydraulic test point fitted as standard

Tank Capacities	Fuel	72 litres
	Hydraulic	50 litres
	AdBlue/DEF	10 litres

Turning Circle	13.4m
-----------------------	-------

Standard Equipment

- > Full LED road lighting incl. DRL (Daylight Running Lights)
- > Camera and dashpanel monitor
- > GPS speedometer
- > Fan guard
- > Reverse alarm

Optional Equipment

- > LED beacon
- > Road mirrors
- > Wheel nut indicator
- > Trackunit

Thwaites

Thwaites Ltd, Leamington Spa,
Warwickshire, CV32 7NQ, England
Tel +44 (0)1926 422471

www.thwaitesdumpers.co.uk



Images are representative, but specific details or equipment may vary by country. We reserve the right to change any and all specifications without prior notice. 12/2020